

TAILORED TOOLBOXES FORM BOX WITH LID

Customer Service: + 39 0578 707 287 - assistenza.online@trucksrl.it

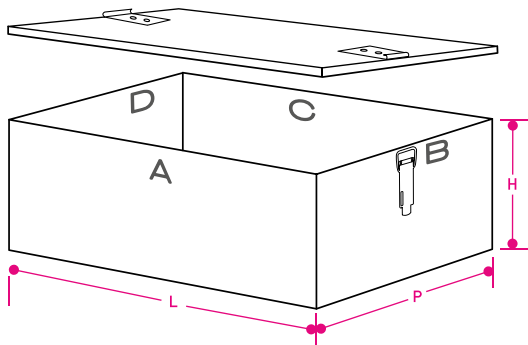
Customer data

Company Name _____ Address _____ n. _____
 ZIP code _____ City _____ Prov. _____ Country _____
 Vat Number _____ Tax Code _____
 Phone _____ E-mail _____

These data will be processed in compliance with the European Regulation on the Protection of Personal Data, n. 679/2016 (GDPR), in application since 25/05/2018.

We request a quote for this toolbox:

BOX WITH LID:



QUANTITY: _____

MEASURES:

L _____ mm.
 H _____ mm.
 P _____ mm.

Customer preferences.

i Opening from top to bottom, Watertight, Door with gasket, Reinforced hinges. It is recommended to apply n. 1 handle for a width 700 mm. (measures maximum of toolbox), n. 2 handles for a width 1400 mm. (measures maximum of toolbox), n. 3 handles for a width 2000 mm. (measures maximum of toolbox), for larger sizes it must be verified.

MATERIAL:

- Galvanized **70**
(thickness max 15/10)
- Stainless Steel **15**
- Flowered Stainless Steel **20**
- Stainless Steel Bright Annealed (thickness 15/10) **5**

THICKNESS:

- 8/10 **5**
- 10/10 **10**
- 12/10 **60**
- 15/10 **23**
- 20/10 **12**
(only stainless steel)

HANDLES:

C70505M n. _____

Side where to apply the handles

- A B
- C D

In the absence of indication the handles will come positioned on the side "B" e "D"

DIVIDER: in the middle

to measure _____ mm.
(from the left)

LEGEND OF COMPONENTS FOR TOOLBOXES:

 Pvc Key Lock M100061	 Pvc/Stainless Steel Key Lock M10017	 Stainless Steel Key Lock M10018	 Stainless Steel Key Lock "Frigo" R18110	 Key Lock for Shutter C70508	 Galvanized Steel Lever Lock C70505M	 Pair Hooks Rubber Closing Hood 65000	 Key Lock M100013	 Padlock R60102	 Universal Key Only for M100061 M10017 - M10018
 Galvanized Handle with Spring R72110	 Thixotropic Cartridge Sealant T75105	 Embossed Letters >10 pz ABC	 Gas Piston	 Chain	 Divider	 Shelf	 Sliding Drawers		

TOOLBOXES SUPPORTS:

 Pair of Galvanized Brackets	 Pair of Galvanized Brackets with Supports	 Pair of Galvanized Brackets	 Pair of Universal Black Brackets	 Pair of Universal Galvanized Brackets	 Pair of Universal Stainless Steel Brackets
---------------------------------	---	---------------------------------	--------------------------------------	---	--

NOTES: _____

Signature

Place and date _____

The signature is valid as acceptance of the completed form, and is expressly authorized to process the data. European Regulation n. 679/2016 (GDPR).